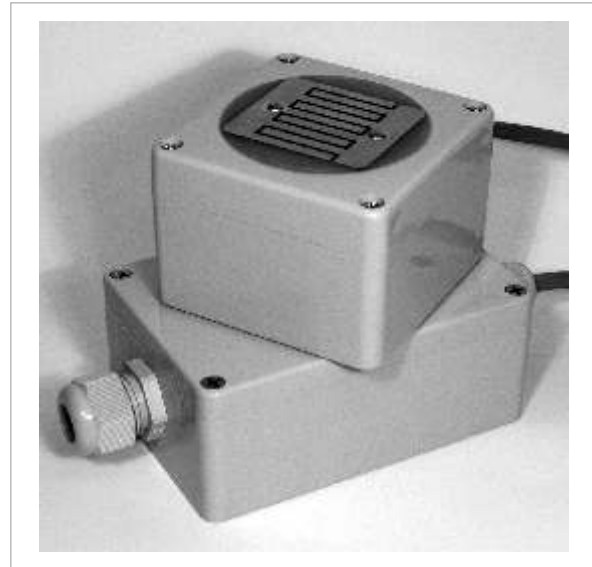


LCN-RS 65

Complete Rain Sensor in IP65 Case

Functional Specifications:

The LCN rain sensor calculates the resistance read between the two metal contacts of the sensor. One rain drop between the two contact fields will change the resistance and a potential free contact is closed. This is sent to the LCN bus module via key converter, where it is evaluated and a command is carried out corresponding to the parameters set.



Description:

The LCN-RS65 is a rain sensor complete with LCN bus module and converter. The evaluation of the signal is carried out in the LCN bus module.

The parametrization of the LCN bus module is achieved with the system software LCN-P or LCN-PRO.

The case is weather-proof (IP 65) and has a connection cable of approximately 3 metres long. It comes complete with assembly kit for wall- and pylon fixture.

The sensitivity of the rain sensor is adjustable via a built-in potentiometer.

Hardware equipment:

1 x LCN-UPP

1 x LCN-TU4R

1 x LCN-RS

Field of application:

Upon the outset of rain immediate action of rain-sensitive facilities can be carried out i.e windows and roof lights closed.

The programming of the corresponding function is carried out in the LCN bus module.

Note:

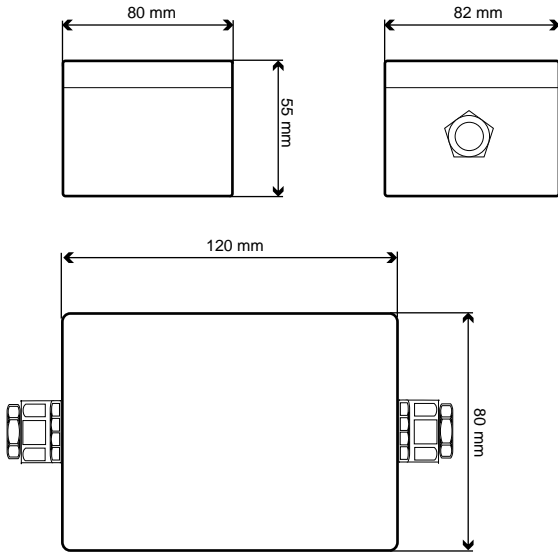
The rain sensor should be cleaned regularly. Therefore, it is to be installed in a way that the user can easily reach it.

LCN-RS 65

Complete Rain Sensor in IP65 Case

Measurements:

Rain Sensor (L x B x H) 80 mm x 82 mm x 55 mm
Exterior Case (L x W x H): 120 mm x 80 mm x 50 mm



Assembly: screw fixture

Technical Data:

Connection:
 Power supply: 230V~ ±15%, 50Hz
 Power capacity: <0,5W
 Connection power side: litz wires 0,75 mm²(with insulated pin terminals)

Sensor:
 Power supply: 230V~ ±15%, 50Hz
 Current: 120mA, internal consumption 80mA
 Connection power side: 3m rubber tube cable
 Connection length: Max.100m

Ports:
 T-Port: available /already in use
 I-Port: available
 P-Port: not available

General Details:
 Operating temperature: -10°C to +40°C
 Humidity: max. 80% rel., no condensation stationary installation according to VDE 632, VDE 637

Environmental conditions: to VDE 632, VDE 637

Safety classification: IP 65

Circuit Diagram

