

LCN-TU4R

Push-button Converter 4 x 230V for Patress Boxes



Description:

The LCN-TU4R is a 230V key converter with 4 inputs. Each key connection distinguishes the "Hit, Hold and Release," function.

The LCN-TU4R is designed to be used with the LCN-UPP, LCN-UPS or LCN-UP24 modules but it can also be used on the LCN-HU, LCN-SH and LCN-LD when necessary.

Hardware equipment:

Cable with plug for T-Port connection

Screwless clips

LEDs for displaying the input signals

Field of application:

Connects to the T-Port of the LCN-UPP inside patress box.

The LCN-TU4R sets four 230V signals onto the T-Port connection (key input) of the LCN module.

Note:

Max length per input should not exceed 100M due to signals being induced when using conventional key converters.

Not suitable for permanent contacts.

The inputs may be supplied by different phases.

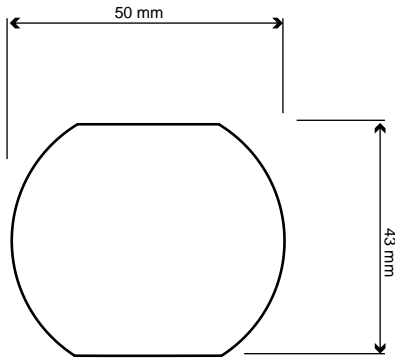
When using key converters with indicator lamps see section LCN-C2GH

LCN-TU4R

Push-button Converter 4 x 230V for Patress Boxes

Dimensions:

Mass (Ø x H): 50mm x 20mm
Supply Cable: 160mm



Technical Data:

Inputs:	
Supply voltage:	230V~ ±20%, 50Hz
Cable length:	ca. 8mA max. 2mA
On-level:	> 170V~
Off-level:	< 100V~
Terminals:	
Cable type	screwless single or multi core (max. 2,5mm ²) or with insulated ferrules (max. 1,5mm ²)
Cable length:	max. 100 metres per input
General Details:	
Operating temperature:	-10°C to +40°C
Humidity:	max. 80% rel., non condensing
Environmental conditions:	stationary installation according to VDE 632, VDE 637
Safety classification:	IP 20, when installed in patress box

Assembly: De-centralized installation in deep patress boxes

Circuit Diagram

